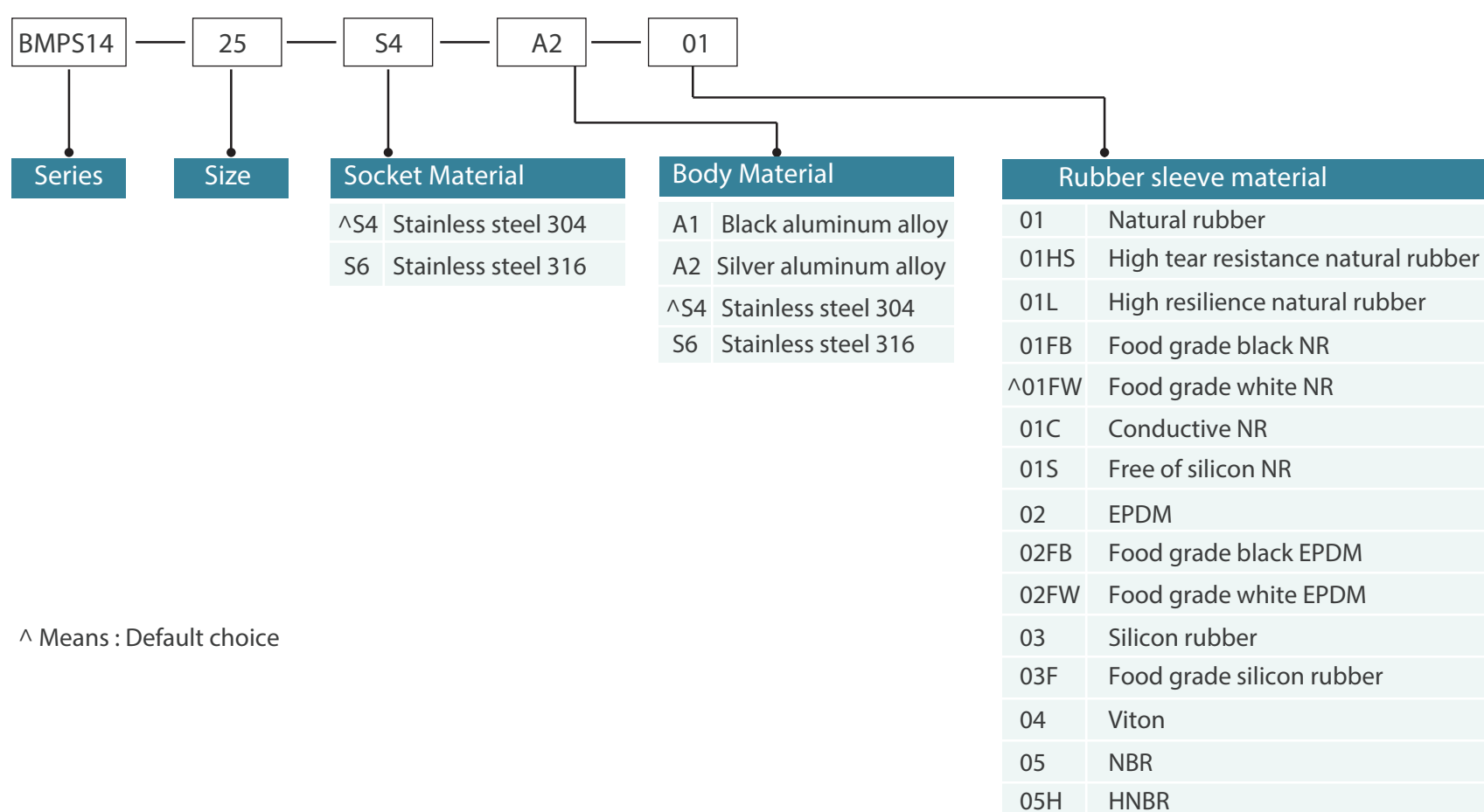


Codification:



^ Means : Default choice

Technical specification:

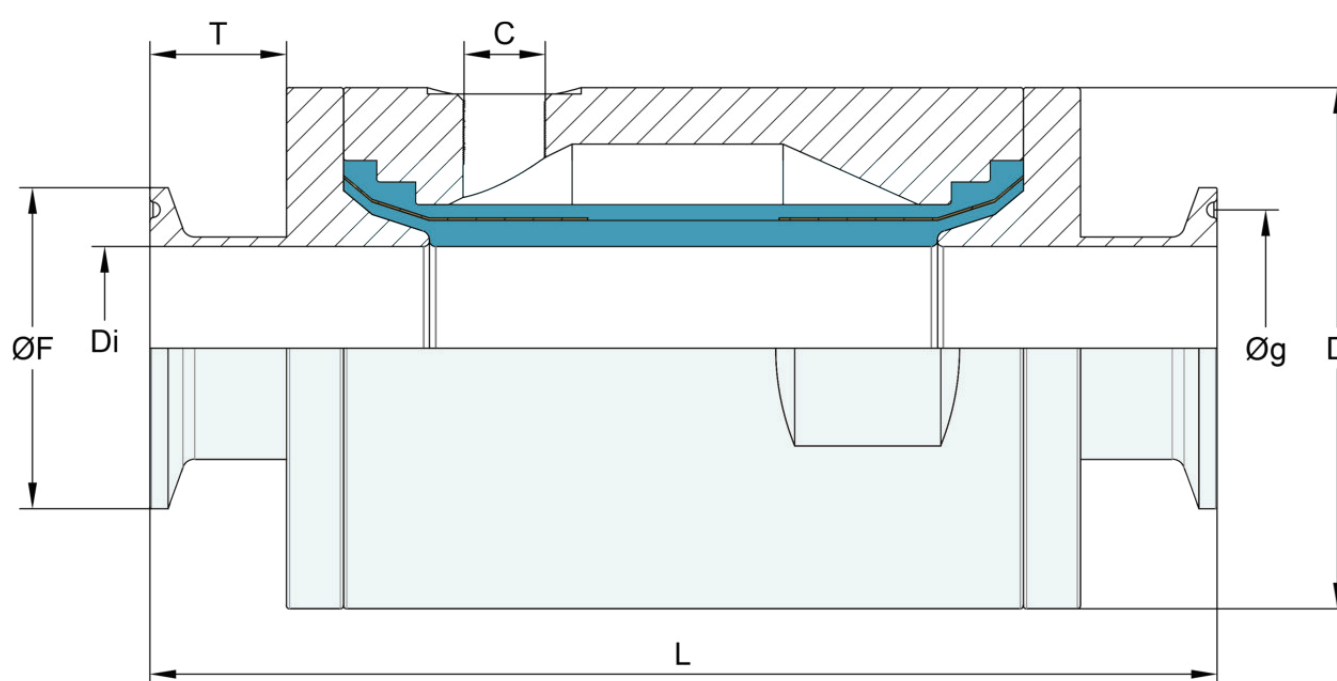
Features	
Design	Pneumatically actuated pinch valve
Sealing principle	Elastic lip seal
Mounting position	Any
Type of mounting	In-line installation
Direction of flow	Reversible
Valve function	2/2 way, normally open
Reset method	Rebound resilience
Nominal pressure	PN10
Sleeve feature	Replaceable



Technical data	
Housing	Aluminum alloy, stainless steel
Socket	Stainless steel
Seal or sleeve	Natural rubber, EPDM, NBR, HNBR, VITON.....
Bolts	Stainless steel 304
Working temperature [°C]	-20.....+120
Medium pressure [bar]	0.....6
Pressure difference [bar]	1.....3
Optimum control pressure	Medium pressure+Pressure difference

Advantage		
* Compact design	* Free passage	* No plugging
* 100% shut off	* Easy maintenance	* Anti-abrasive
* Food grade	* Anti-corrosive	* Quick open-close

Application
For Pneumatic convey industry
* Powder industry: granual, epoxy painting, glass, plastic
* Chemical industry: acid, fuel, liquid, fertilizer
* Food industry: syrup, ice cream, milk, liquid food
* Others: cable, dust, salt, water, slurry, waste, sludge



DN (mm)	Di (mm)	L (mm)	T (mm)	D (mm)	φF (mm)	φg (mm)	C	Vol.l
10	10	105	18	47	34	27.5	G 1/8"	0.04
15	15	115	18	52	34	27.5	G 1/8"	0.05
20	20	129	18	61	34	27.5	G 1/8"	0.07
25	25	157	21.5	67	50.5	43.5	G 1/8"	0.85
32	32	168	21.5	82	50.5	43.5	G 1/4"	0.15
40	40	193	21.5	92	50.5	43.5	G 1/4"	0.25
50	50	207	21.5	114	64	56.5	G 1/4"	0.36

* Tri-clamp standard: DIN 32676 Row A