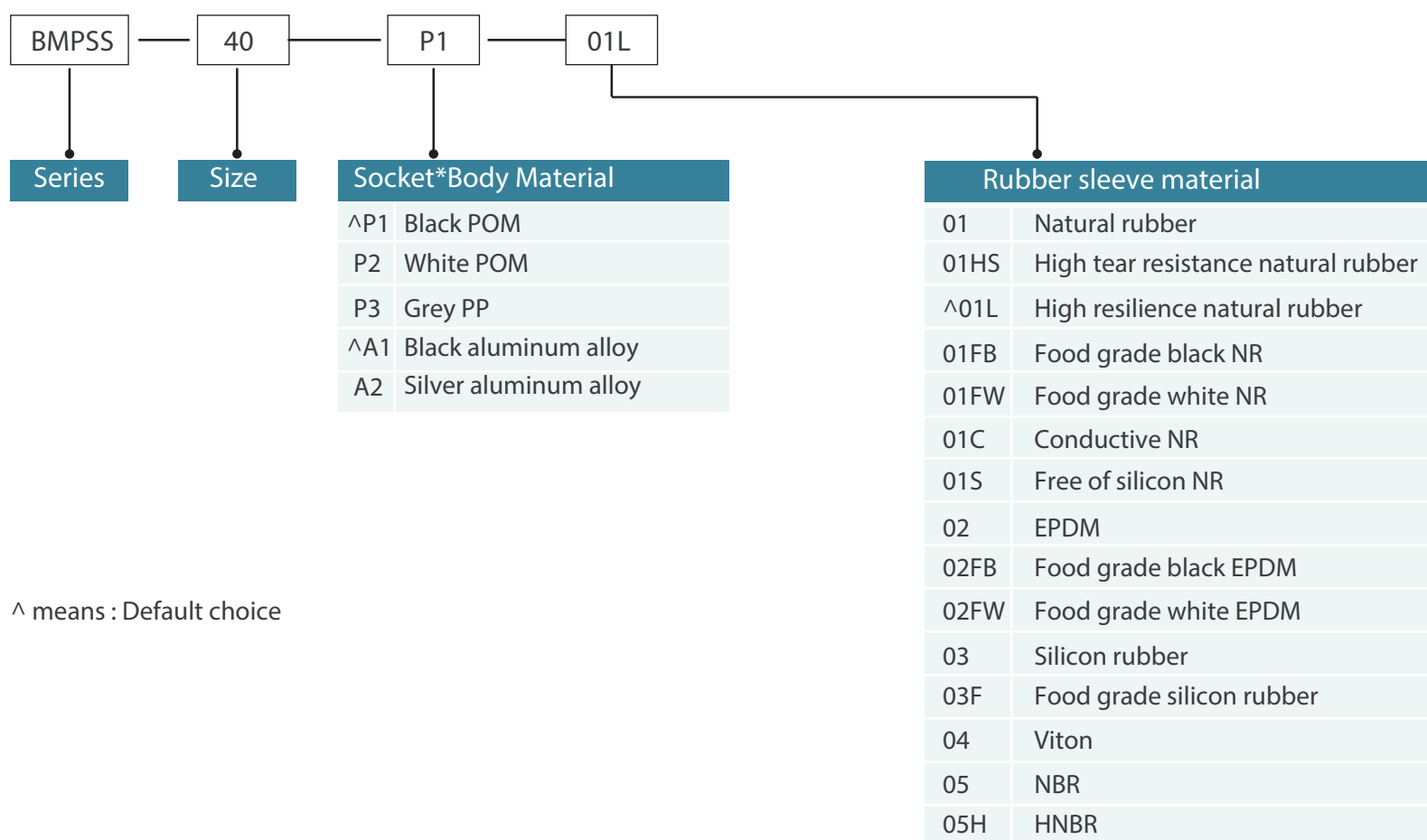


Codification:



^ means : Default choice

Technical specification:

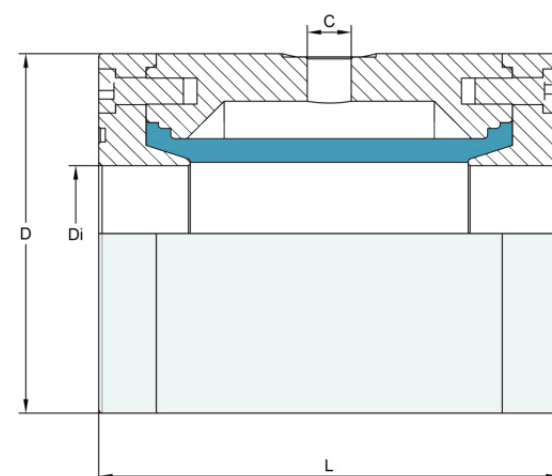
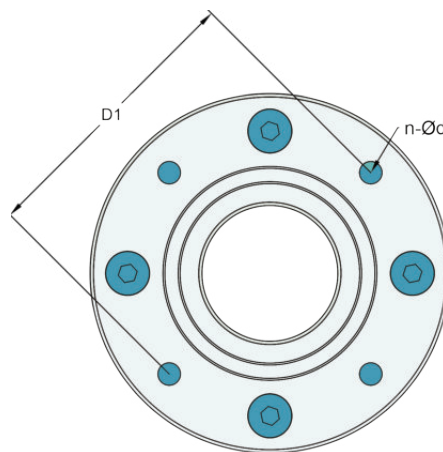
Features	
Design	Pneumatically actuated pinch valve
Sealing principle	Elastic lip seal
Mounting position	Any
Type of mounting	In-line installation
Direction of flow	Reversible
Valve function	2/2 way,normally open
Reset method	Rebound resilience
Nominal pressure	PN10
Sleeve feature	Replaceable



Technical data	
Housing	Aluminum alloy, POM, PP
Socket	Aluminum alloy, POM, PP
Seal or sleeve	Natural rubber,EPDM,NBR,HNBR,VITON.....
Working temperature [°C]	-20.....+120
Medium pressure [bar]	0.....6
Pressure difference [bar]	1.....3
Optimum control pressure	Medium pressure+Pressure difference

Advantage		
* Compact design	* Free passage	* No plugging
* 100% shut off	* Easy maintenance	* Anti-abrasive
* Food grade	* Anti-corrosive	* Quick open-close

Application
For Pneumatic convey industry
* Powder industry: granual, epoxy painting, glass,plastic
* Chemical industry: acid,fuel,liquid,fertilizer
* Food industry: syrup, ice cream, milk,liquid food
* Others: cable, dust, salt, water,slurry,waste,sludge



DN (mm)	Di (mm)	D (mm)	L (mm)	D1 (mm)	C	n-φD	O ring	Vol.l	Weight KG
32	32	82	105	67	G 1/4"	4-M6	48*φ2.5	0.12	0.6
40	40	98	120	82	G 1/4"	4-M6	58*φ3	0.2	0.9
50	50	130	135	102	G 1/4"	4-M8	75*φ5	0.3	1.3